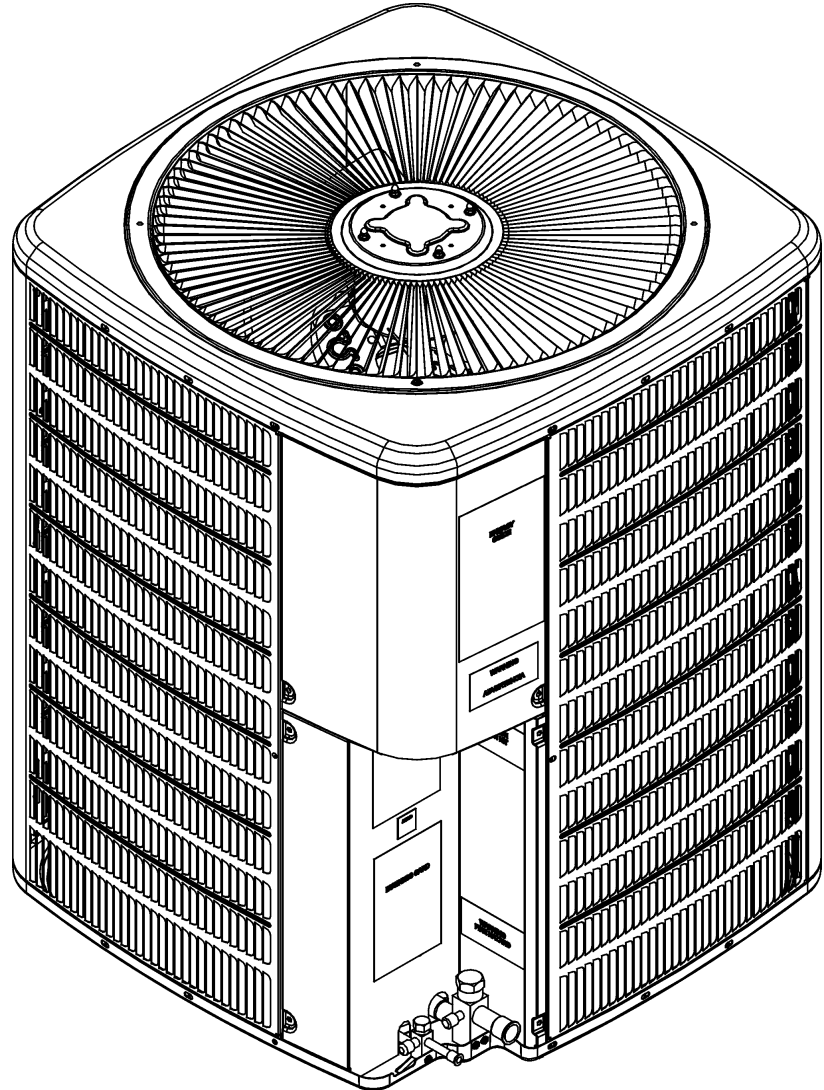


GSC13 Remote Condensing Unit

GSC130181GA
GSC130301EC
GSC130301ED
GSC130361GB
GSC130361GC
GSC130363BD
GSC130363BE
GSC130421CB
GSC130421CC
GSC130421CD
GSC130481CB
GSC130481CC
GSC130481CD
GSC130483CB
GSC130483CC
GSC130483CD
GSC130484BC
GSC130484BD
GSC130484BE
GSC130484BF
GSC130601DA
GSC130601DB
GSC130601DC
GSC130601DD
GSC130603CA
GSC130603CB
GSC130603CC
GSC130603CD
GSC130604BC
GSC130604BE



This manual is to be used by qualified technicians only.

This manual replaces RP-777B.

© 2013-2015 Goodman Manufacturing Company, L.P. ♦ 5151 San Felipe St., Suite 500 ♦ Houston, TX 77056

Important Information

Index

Functional Parts List	3
Illustration and Parts	4 - 9

Views shown are for parts illustrations only, not servicing procedures

Text Codes:

AR - As Required

NA - Not Available

NS - Not Shown

00000000 - See Note

QTY - Quantity Example (QTY 3) (If Quantity not shown, Quantity = 1)

M - Model Example (M1) (If M Code not shown, then part is used on all Models)

Expanded Model Nomenclature:

Example M1 - Model#1 M2 - Model#2 M3 - Model#3

Goodman Manufacturing Company, L.P. is not responsible for personal injury or property damage resulting from improper service. Review all service information before beginning repairs.

Warranty service must be performed by an authorized technician, using authorized factory parts. If service is required after the warranty expires, Goodman Manufacturing Company, L.P. also recommends contacting an authorized technician and using authorized factory parts.

Goodman Manufacturing Company, L.P. reserves the right to discontinue, or change at any time, specifications or designs without notice or without incurring obligations.

For assistance within the U.S.A. contact:
Consumer Affairs Department
Goodman Manufacturing Company, L.P.
7401 Security Way
Houston, Texas 77040
877-254-4729-Telephone
713-863-2382-Facsimile

For assistance outside the U.S.A. contact:
International Division
Goodman Manufacturing Company, L.P.
7401 Security Way
Houston, Texas 77040
713-861-2500-Telephone
713-863-2382-Facsimile

Functional Parts

Part

No: Description:

Part No:	Description:	
B12825171	3/8" SERVICE VALVE	0151R00033 VALVE, SERVICE 7/8" OPEN LEFT (M11, M12, M13, M14, M15, M16, M17, M18, M19, M20, M21, M22, M23, M24, M25, M26, M27, M28, M29, M30)
730049-2001-20	BRISTOL COMPRESSOR (M4)	
730049-2003-20	BRISTOL, COMPRESSOR (M5)	
CAP050500440CT	CAP, 5/50 MFD/440V/DUAL RD (M8, M9, M10)	
CAP050550440CT	CAP, 5/55 MFD/440V/DUAL RD (M11, M12, M13)	
CAP050600440CT	CAP, 5/60 MFD/440V/DUAL RD (M21, M22, M23, M24)	
CAP050350440CS	CAPACITOR 5/35/440V (M1)	
CAP050000370LA	CAPACITOR 5/370V (M6, M7, M14, M15, M16, M17, M18, M19, M20, M25, M26, M27, M28, M29, M30)	
CAP050400440CT	CAPACITOR 5/40/440V/DUAL RD (M2, M3)	
CAP050450440CT	CAPACITOR 5/45/440V/DUAL RD (M4, M5)	
ZR25K5PFV130	COMP, 25300, 208/230/60/1 (M2)	
ZR25K5EPFV130	COMP, 25300, 208/230/60/1 (M3)	
ZR32K5PFV130	COMP, 32000, 208/230/60/1 (M8)	
ZR38K5PFV130	COMP, 38000,208/230/60/1 (M11)	
2K22S236SUC	COMP, PANASONIC (M1)	
ZR28K5ETF5130	COMP,28400,200/230/60/3 (M7)	
ZR28K5TF5130	COMP,28400,200/230/60/3 (M6)	
ZR32K5EPFV130	COMP,32000,208/230/60/1 (M9, M10)	
ZR38K5ETF5130	COMP,38000,200/230/60/3 (M15, M16)	
ZR38K5TF5130	COMP,38000,200/230/60/3 (M14)	
ZR38K5EPFV130	COMP,38000,208/230/60/1 (M12, M13)	
ZR38K5ETFD130	COMP,38000,460/60/3 (M17, M19, M20)	
ZR38K5TFD130	COMP,38000,460/60/3 (M18)	
ZR48K5TF5130	COMPRESSOR 48200,200/230/60/3 (M26)	
ZR48K5PFV130	COMPRESSOR 48200,208/230/60/1 (M22)	
ZR48K5ETF5130	COMPRESSOR,48200,200/230/60/3 (M25, M27, M28)	
ZR48K5EPFV130	COMPRESSOR,48200,208/230/60/1 (M21, M23, M24)	
ZR48K5ETFD130	COMPRESSOR,48200,460/60/3 (M29, M30)	
0131M00018P	COND MOTOR 1/4 HP, 1 SP, 6 PL (M6, M7, M8, M9, M10, M11, M12, M13, M14, M15, M16, M21, M22, M23, M24, M25, M26, M27, M28)	
0131M00060	COND MOTOR 1/6 HP, 1 SP, 8 PL (M4, M5)	
0131M00266	COND MOTOR 1/8 HP, 8 PL, PSC (M1)	
0131M00294	COND MOTOR, 1/8HP, ISP, 6PL (M2, M3)	
CONT1P025024V	CONTACTOR 25 AMP, 1P, 24V (M1, M2, M3, M4, M5, M8, M9, M10, M11, M12, M13)	
CONT3P025024V	CONTACTOR 25 AMP, 3P, 24V (M6, M7, M14, M15, M16, M17, M18, M19, M20, M25, M26, M27, M28, M29, M30)	
CONT1P030024V	CONTACTOR 30 AMP, 1P, 24V (M21, M22, M23, M24)	
0150M00018	FAN BLADE 20" (M1)	
0150M00008	FAN BLADE 22" TNT2203-25 (M17, M18, M19, M20, M29, M30)	
B1086750	FAN BLADE 22", 3 BLADE, 24° (M6, M7, M21, M22, M23, M24, M25, M26, M27, M28)	
B1086764	FAN BLADE TYPE 2 (M4, M5)	
0150M00033	FAN BLADE, 20", 3 BLADE, 24DEG (M2, M3)	
0150M00006	FAN BLADE, 22" (M8, M9, M10, M11, M12, M13, M14, M15, M16)	
0131M00022	MOTOR 1/4 HP, 8 PL, 460V (M17, M18, M19, M20, M29, M30)	
0151R00032	VALVE, BASE 3/4" OPEN LEFT (M1, M2, M3, M4, M5, M6, M7, M8, M9, M10)	

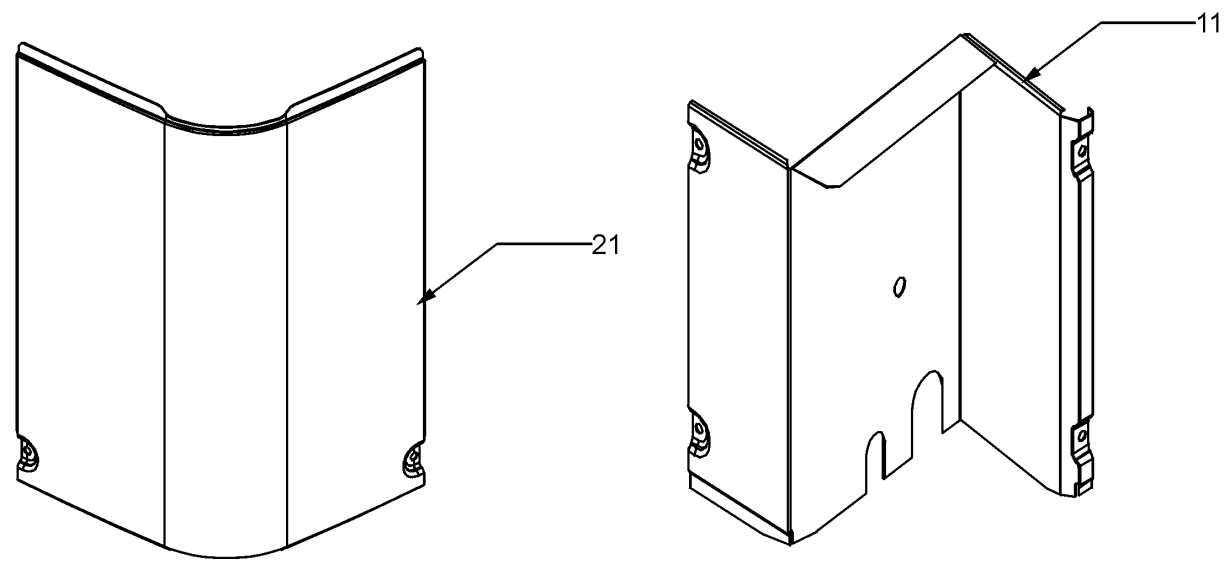
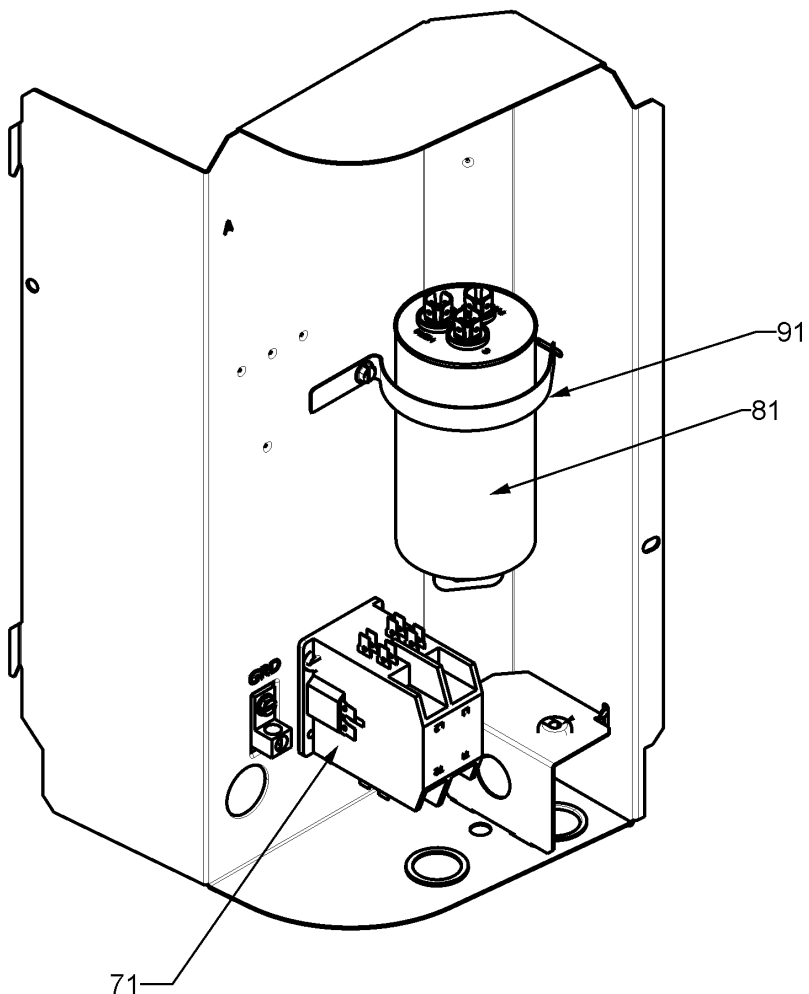
SPECIAL PARTS

0161R00009P NAMEPLATE

Expanded Model Nomenclature

M1 - GSC130181GA
M2 - GSC130301EC
M3 - GSC130301ED
M4 - GSC130361GB
M5 - GSC130361GC
M6 - GSC130363BD
M7 - GSC130363BE
M8 - GSC130421CB
M9 - GSC130421CC
M10 - GSC130421CD
M11 - GSC130481CB
M12 - GSC130481CC
M13 - GSC130481CD
M14 - GSC130483CB
M15 - GSC130483CC
M16 - GSC130483CD
M17 - GSC130484BC
M18 - GSC130484BD
M19 - GSC130484BE
M20 - GSC130484BF
M21 - GSC130601DA
M22 - GSC130601DB
M23 - GSC130601DC
M24 - GSC130601DD
M25 - GSC130603CA
M26 - GSC130603CB
M27 - GSC130603CC
M28 - GSC130603CD
M29 - GSC130604BC
M30 - GSC130604BE

Control Cover/Control Box



Control Cover/Control Box

Ref. Part

No: No: Description:

Ref. Part

No: No: Description:

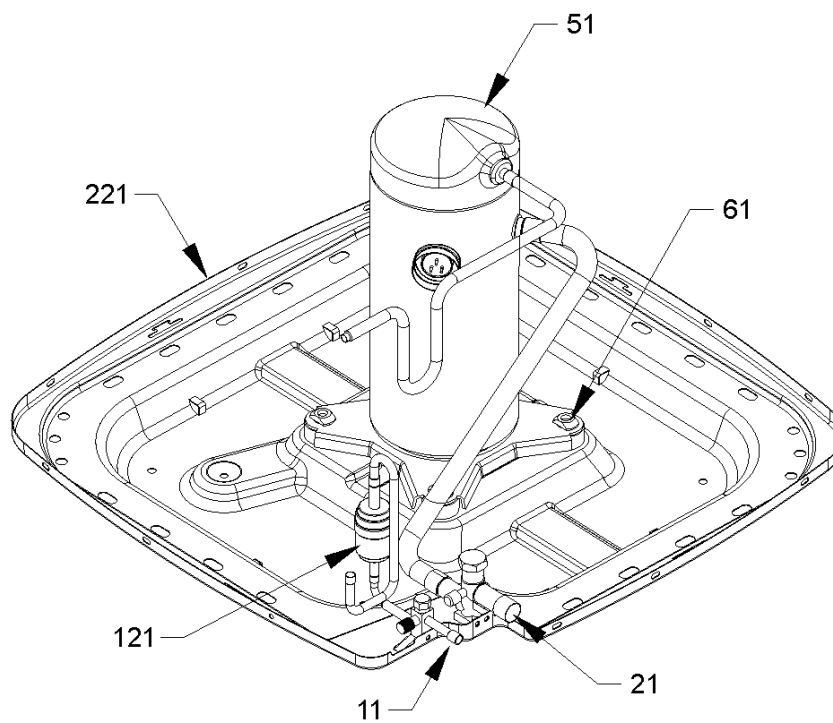
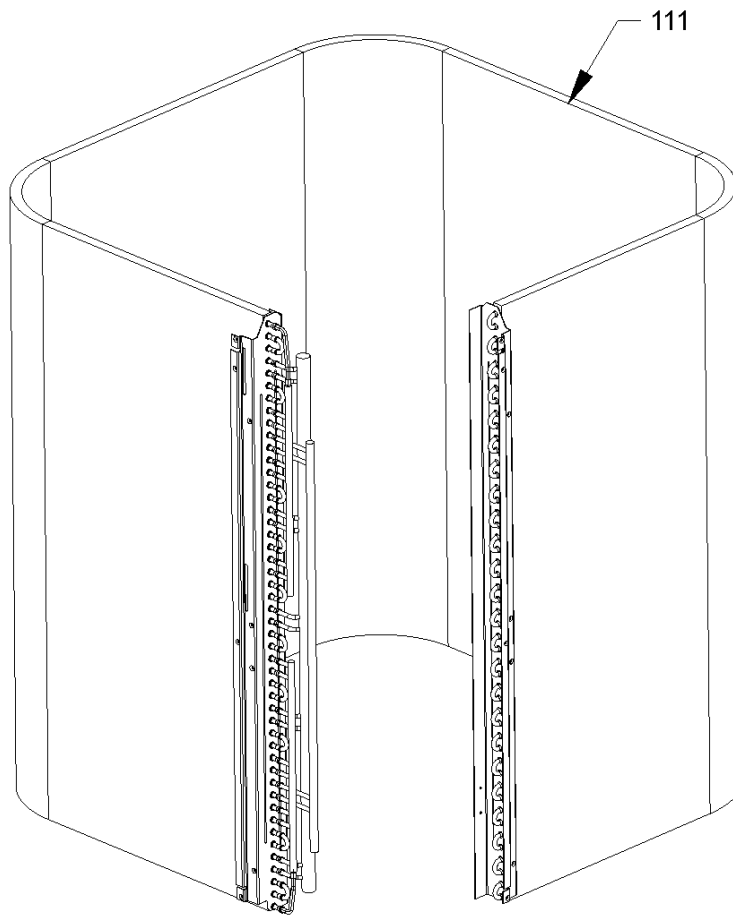
Image 1:

11	0121R00316PDG	PANEL, LOWER ACCESS PNT (M21, M22, M23, M24, M25, M26, M27, M28, M29, M30)
11	0121R00319PDG	PANEL, LOWER ACCESS PNT (M11, M12, M13, M14, M15, M16, M17, M18, M19, M20)
11	0121R00323PDG	PANEL, LOWER ACCESS PNT (M2, M3, M4, M5, M6, M7, M8, M9, M10)
11	0121R00326PDG	PANEL, LOWER ACCESS PNT (M1)
21	0121R00053PDG	CONTROL COVER
71	CONT1P025024V	CONTACTOR 25 AMP, 1P, 24V (M1, M2, M3, M4, M5, M8, M9, M10, M11, M12, M13)
71	CONT3P025024V	CONTACTOR 25 AMP, 3P, 24V (M6, M7, M14, M15, M16, M17, M18, M19, M20, M25, M26, M27, M28, M29, M30)
71	CONT1P030024V	CONTACTOR 30 AMP, 1P, 24V (M21, M22, M23, M24)
81	CAP050500440CT	CAP, 5/50 MFD/440V/DUAL RD (M8, M9, M10)
81	CAP050550440CT	CAP, 5/55 MFD/440V/DUAL RD (M11, M12, M13)
81	CAP050600440CT	CAP, 5/60 MFD/440V/DUAL RD (M21, M22, M23, M24)
81	CAP050350440CS	CAPACITOR 5/35/440V (M1)
81	CAP050000370LA	CAPACITOR 5/370V (M6, M7, M14, M15, M16, M17, M18, M19, M20, M25, M26, M27, M28, M29, M30)
81	CAP050400440CT	CAPACITOR 5/40/440V/DUAL RD (M2, M3)
81	CAP050450440CT	CAPACITOR 5/45/440V/DUAL RD (M4, M5)
91	4400065	CAPACITOR STRAP

Expanded Model Nomenclature

M1 - GSC130181GA
M2 - GSC130301EC
M3 - GSC130301ED
M4 - GSC130361GB
M5 - GSC130361GC
M6 - GSC130363BD
M7 - GSC130363BE
M8 - GSC130421CB
M9 - GSC130421CC
M10 - GSC130421CD
M11 - GSC130481CB
M12 - GSC130481CC
M13 - GSC130481CD
M14 - GSC130483CB
M15 - GSC130483CC
M16 - GSC130483CD
M17 - GSC130484BC
M18 - GSC130484BD
M19 - GSC130484BE
M20 - GSC130484BF
M21 - GSC130601DA
M22 - GSC130601DB
M23 - GSC130601DC
M24 - GSC130601DD
M25 - GSC130603CA
M26 - GSC130603CB
M27 - GSC130603CC
M28 - GSC130603CD
M29 - GSC130604BC
M30 - GSC130604BE

Coil/Compressor/Tubing Assembly



Coil/Compressor/Tubing Assembly

Ref. Part No: No:	Description:	Ref. Part No: No:	Description:	
Image 1:		Image 1:		
11	B12825171	3/8" SERVICE VALVE		
21	0151R00032	VALVE, BASE 3/4" OPEN LEFT (M1, M2, M3, M4, M5, M6, M7, M8, M9, M10)	NS B1789890 FLOW CHECK PISTON KIT (M21, M22, M23, M24, M25, M26, M27, M28, M29, M30)	
21	0151R00033	VALVE, SERVICE 7/8" OPEN LEFT (M11, M12, M13, M14, M15, M16, M17, M18, M19, M20, M21, M22, M23, M24, M25, M26, M27, M28, M29, M30)	NS B1789855 FLOW CHECK PISTON KIT .055 (M1)	
51	730049-2001-20	BRISTOL COMPRESSOR (M4)	NS B1789865 FLOW CHECK PISTON KIT .065 (M2, M3)	
51	730049-2003-20	BRISTOL, COMPRESSOR (M5)	NS B1789871 FLOW CHECK PISTON KIT .071 (M6, M7)	
51	ZR25K5EPFV130	COMP, 25300, 208/230/60/1 (M3)	NS B1789874 FLOW CHECK PISTON KIT .074 (M4, M5)	
51	ZR25K5PFV130	COMP, 25300, 208/230/60/1 (M2)	NS B1789876 FLOW CHECK PISTON KIT .076 (M8, M9, M10)	
51	ZR32K5PFV130	COMP, 32000, 208/230/60/1 (M8)	NS B1789882 FLOW CHECK PISTON KIT .082 (M11, M12, M13, M14, M15, M16, M17, M18, M19, M20)	
51	ZR38K5PFV130	COMP, 38000,208/230/60/1 (M11)	NS 0161R00009P NAMEPLATE	
51	2K22S236SUC	COMP, PANASONIC (M1)	NS M0221641 TF SHOULDER SCREW (QTY 4)	
51	ZR28K5ETF5130	COMP,28400,200/230/60/3 (M7)	Expanded Model Nomenclature	
51	ZR28K5TF5130	COMP,28400,200/230/60/3 (M6)	M1 - GSC130181GA	
51	ZR32K5EPFV130	COMP,32000,208/230/60/1 (M9, M10)	M2 - GSC130301EC	
51	ZR38K5ETF5130	COMP,38000,200/230/60/3 (M15, M16)	M3 - GSC130301ED	
51	ZR38K5TF5130	COMP,38000,200/230/60/3 (M14)	M4 - GSC130361GB	
51	ZR38K5EPFV130	COMP,38000,208/230/60/1 (M12, M13)	M5 - GSC130361GC	
51	ZR38K5ETFD130	COMP,38000,460/60/3 (M17, M19, M20)	M6 - GSC130363BD	
51	ZR38K5TFD130	COMP,38000,460/60/3 (M18)	M7 - GSC130363BE	
51	ZR48K5TF5130	COMPRESSOR 48200,200/230/60/3 (M26)	M8 - GSC130421CB	
51	ZR48K5PFV130	COMPRESSOR 48200,208/230/60/1 (M22)	M9 - GSC130421CC	
51	ZR48K5ETF5130	COMPRESSOR,48200,200/230/60/3 (M25, M27, M28)	M10 - GSC130421CD	
51	ZR48K5EPFV130	COMPRESSOR,48200,208/230/60/1 (M21, M23, M24)	M11 - GSC130481CB	
51	ZR48K5ETFD130	COMPRESSOR,48200,460/60/3 (M29, M30)	M12 - GSC130481CC	
61	B1339533	COMPRESSOR GROMMET (M2, M3, M4, M5, M6, M7, M8, M9, M10, M11, M12, M13, M14, M15, M16, M17, M18, M19, M20, M21, M22, M23, M24, M25, M26, M27, M28, M29, M30)	M13 - GSC130481CD	
61	0164M00000P	COMPRESSOR GROMMET-PANASONIC (M1)	M14 - GSC130483CB	
111	0201R00177s	TUBING ASSY, COND COIL (M1)	M15 - GSC130483CC	
111	0201R00232	TUBING ASSY, COND COIL (M2, M3)	M16 - GSC130483CD	
111	0201R00238	TUBING ASSY, COND COIL (M4, M5, M6, M7, M8, M9)	M17 - GSC130484BC	
111	0201R00249	TUBING ASSY, COND COIL (M11, M12)	M18 - GSC130484BD	
111	0201R00262	TUBING ASSY, COND COIL (M21, M22, M23, M25, M26, M27, M29, M30)	M19 - GSC130484BE	
111	0201R00429	TUBING ASSY, COND COIL (M14, M15, M17, M18, M19)	M20 - GSC130484BF	
111	0201R00484	TUBING ASSY, COND COIL (M13)	M21 - GSC130601DA	
111	0201R00488	TUBING ASSY, COND COIL (M16, M20)	M22 - GSC130601DB	
111	0201R00523	TUBING ASSY, COND COIL (M10)	M23 - GSC130601DC	
111	0201R00524	TUBING ASSY, COND COIL (M24, M28)	M24 - GSC130601DD	
121	B1219212	SINGLE-FLOW FILTER DRIER, STEEL	M25 - GSC130603CA	
221	0121R00005PDG	BASE PAN 26" (M1, M2, M3)	M26 - GSC130603CB	
221	0121R00006PDG	BASE PAN 29" (M4, M5, M6, M7, M8, M9, M10, M11, M12, M13, M14, M15, M16, M17, M18, M19, M20, M21, M22, M23, M24, M25, M26, M27, M28, M29, M30)	M27 - GSC130603CC	
NS	0159R00000P	COMPRESSOR SCROLL HARNESS (M2, M3)	M28 - GSC130603CD	
NS	0159R00001P	COMPRESSOR SCROLL HARNESS (M8, M9, M10, M11, M12, M13, M21, M22, M23, M24)	M29 - GSC130604BC	
NS	0159R00008	COMPRESSOR SCROLL HARNESS (M14, M15, M16, M17, M18, M19, M20, M25, M26, M27, M28, M29, M30)	M30 - GSC130604BE	
NS	0159R00009	COMPRESSOR SCROLL HARNESS (M6, M7)		

Cabinet Top/Side Panels

Image 1

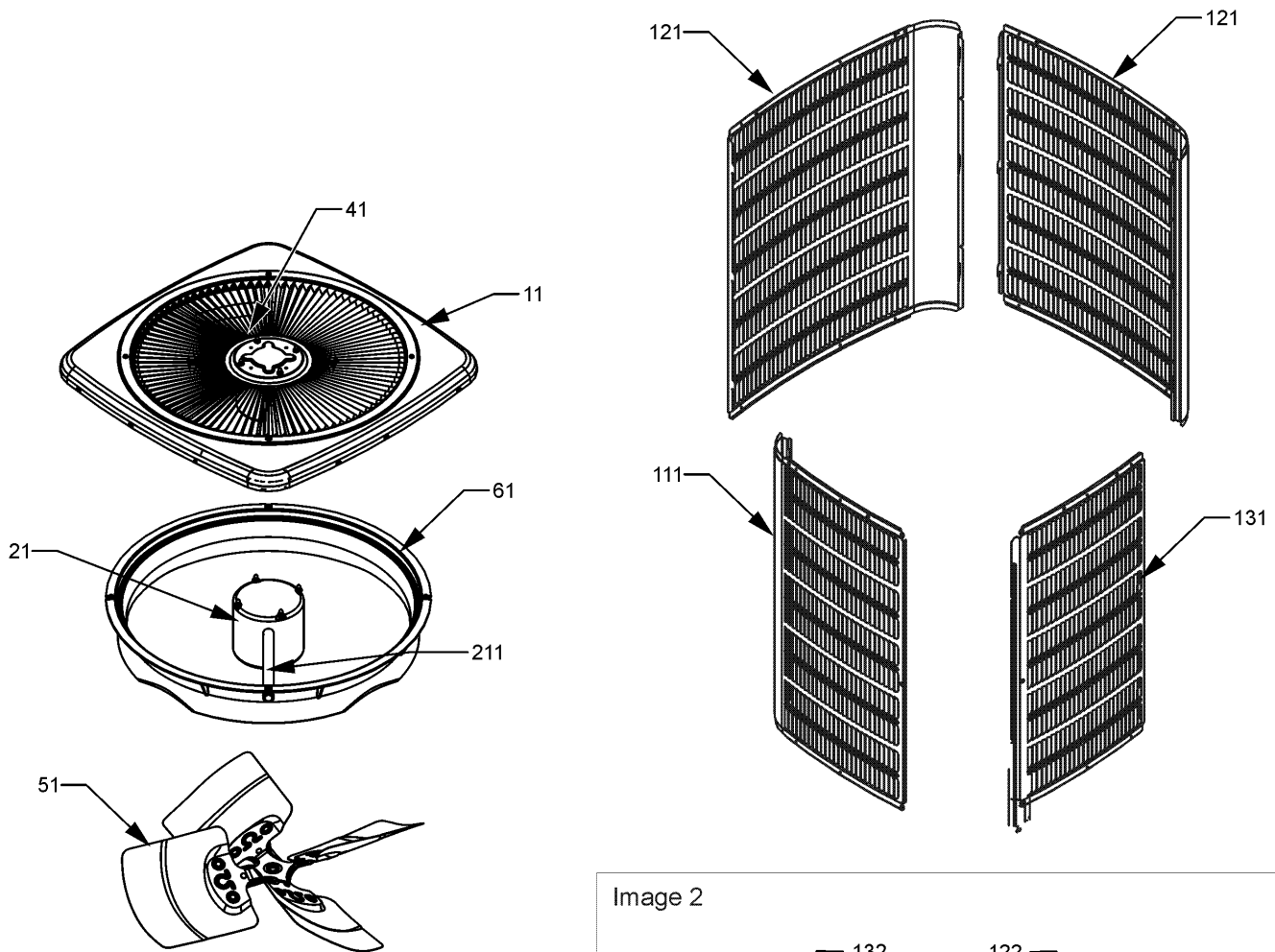
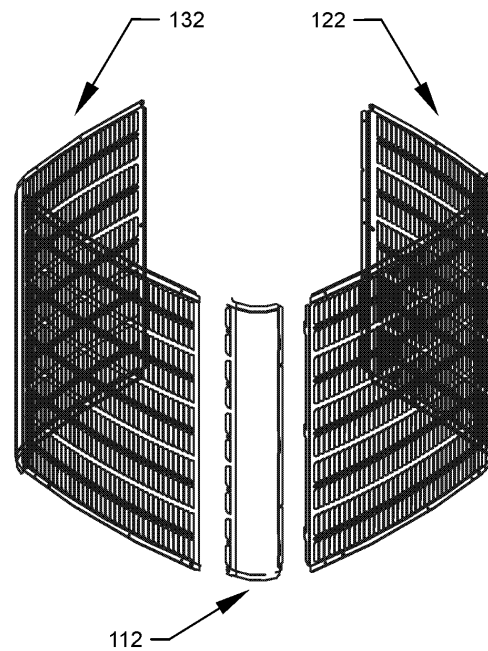


Image 2



Cabinet Top/Side Panels

Ref. Part No: No:	Description:	Ref. Part No: No:	Description:
Image 1:		Image 2:	
11	0121R00008PDG TOP PANEL 26" (M1, M2, M3)	132	0121R00344PDGLS Louver Panel, PDG 29" _32.51 (M11, M12, M13, M14, M15, M16, M18, M19, M20)
11	0121R00010PDG TOP PANEL 29" (M4, M5, M6, M7, M8, M9, M10, M11, M12, M13, M14, M15, M16, M17, M18, M19, M20, M21, M22, M23, M24, M25, M26, M27, M28, M29, M30)	132	0121R00346PDGLS Louver Panel, PDG 29" _36.30 (M22, M23, M24, M26, M27, M28, M30)
21	0131M00018P COND MOTOR 1/4 HP, 1 SP, 6 PL (M6, M7, M8, M9, M10, M11, M12, M13, M14, M15, M16, M21, M22, M23, M24, M25, M26, M27, M28)	Expanded Model Nomenclature	
21	0131M00060 COND MOTOR 1/6 HP, 1 SP, 8 PL (M4, M5)	M1 - GSC130181GA	
21	0131M00266 COND MOTOR 1/8 HP, 8 PL, PSC (M1)	M2 - GSC130301EC	
21	0131M00294 COND MOTOR, 1/8HP, ISP, 6PL (M2, M3)	M3 - GSC130301ED	
21	0131M00022 MOTOR 1/4 HP, 8 PL, 460V (M17, M18, M19, M20, M29, M30)	M4 - GSC130361GB	
41	0163M00006P ACORN NUT 5/16 HEX BLACK (QTY 4)	M5 - GSC130361GC	
51	0150M00018 FAN BLADE 20" (M1)	M6 - GSC130363BD	
51	0150M00008 FAN BLADE 22" TNT2203-25 (M17, M18, M19, M20, M29, M30)	M7 - GSC130363BE	
51	B1086750 FAN BLADE 22", 3 BLADE, 24° (M6, M7, M21, M22, M23, M24, M25, M26, M27, M28)	M8 - GSC130421CB	
51	B1086764 FAN BLADE TYPE 2 (M4, M5)	M9 - GSC130421CC	
51	0150M00033 FAN BLADE, 20", 3 BLADE, 24DEG (M2, M3)	M10 - GSC130421CD	
51	0150M00006 FAN BLADE, 22" (M8, M9, M10, M11, M12, M13, M14, M15, M16)	M11 - GSC130481CB	
61	0161L00000 VENTURI RING 22" (M4, M5, M6, M7, M8, M9, M10, M11, M12, M13, M14, M15, M16, M17, M18, M19, M20, M21, M22, M23, M24, M25, M26, M27, M28, M29, M30)	M12 - GSC130481CC	
111	0121R00127PDGB LOUVERED SIDE PANEL [LT OF CNTL PNL] (M17)	M13 - GSC130481CD	
111	0121R00175PDG LOUVERED SIDE PANEL [LT OF CNTL PNL] (M21, M25, M29)	M14 - GSC130483CB	
121	0121R00134PDGB LOUVERED SIDE PANEL (M17)	M15 - GSC130483CC	
121	0121R00176PDGB LOUVERED SIDE PANEL (M21, M25, M29)	M16 - GSC130483CD	
131	0121R00177PDG LOUVERED SIDE PANEL (M21, M25, M29)	M17 - GSC130484BC	
131	0121R00141PDG LOUVERED SIDE PANEL [RT OF CNTL PNL] (M17)	M18 - GSC130484BD	
211	0161R00001P CONDUIT (M1, M2, M3)	M19 - GSC130484BE	
211	0161R00002P CONDUIT (M4, M5, M6, M7, M8, M9, M10, M11, M12, M13, M14, M15, M16, M17, M18, M19, M20, M21, M22, M23, M24, M25, M26, M27, M28, M29, M30)	M20 - GSC130484BF	
Image 2:		M21 - GSC130601DA	
112	0121R00347PDG Louver Post, PDG 23.73 (M1)	M22 - GSC130601DB	
112	0121R00350PDG Louver Post, PDG 28.73 (M2, M3, M4, M5, M6, M7, M8, M9, M10)	M23 - GSC130601DC	
112	0121R00352PDG Louver Post, PDG 32.51 (M11, M12, M13, M14, M15, M16, M18, M19, M20)	M24 - GSC130601DD	
112	0121R00354PDG Louver Post, PDG 36.30 (M22, M23, M24, M26, M27, M28, M30)	M25 - GSC130603CA	
122	0121R00336PDGRS Louver Panel, PDG 26" _23.73 (M1)	M26 - GSC130603CB	
122	0121R00337PDGRS Louver Panel, PDG 26" _28.73 (M2, M3)	M27 - GSC130603CC	
122	0121R00342PDGRS Louver Panel, PDG 29" _28.73 (M4, M5, M6, M7, M8, M9, M10)	M28 - GSC130603CD	
122	0121R00344PDGRS Louver Panel, PDG 29" _32.51 (M11, M12, M13, M14, M15, M16, M18, M19, M20)	M29 - GSC130604BC	
122	0121R00346PDGRS Louver Panel, PDG 29" _36.30 (M22, M23, M24, M26, M27, M28, M30)	M30 - GSC130604BE	
132	0121R00336PDGLS Louver Panel, PDG 26" _23.73 (M1)		
132	0121R00337PDGLS Louver Panel, PDG 26" _28.73 (M2, M3)		
132	0121R00342PDGLS Louver Panel, PDG 29" _28.73 (M4, M5, M6, M7, M8, M9, M10)		